

ECONOMICAL

RELIABLE

RAPID

SIMPLE



Micro-D
Backshell

The backshells developed by Comtronic meets the need for ultra miniaturisation, excellent EMV shielding and highest reliability.

Our experience helps you to achieve the optimum in miniaturization. This concept makes possible special features and factory preassembled parts that assures the user of unbelievably simple, rapid and economical assembly. Comtronic backshells are available as a single part, two- or three-parts.

With optional crimping for the shield the separation force between the connector and the cable approaches the average strength of the shield.

All backshells are simple to assemble with a minimum of loose parts and a minimum of assembly operations to perform.

TYPICAL SPECIFICATIONS: *

ENVIRONMENTAL

Vibration:	Mil. Std. - 202A, method 204 test condition B (15 g's 10-2000 cps) No discontinuity in excess of 1 microsecond.
Shock:	Mil. Std. - 202, method 202, 200 g's. No evidence of damage.
Temperature Cycling:	Mil. Std. - 202, method 102, condition C.
Corrosion (Salt Spray):	Mil. Std. - 202, method 10, conditions B 5% salt solution.
Moisture Resistance:	Test per Mil. Std. - 202C, method 106B, omitting step 7b and high humidity tests.

GENERAL

Standard Shells

Material, Shells:	Aluminium Alloy 6061T6, Magnesium MgAl3Zn
Inserts & Insulators:	PEEK, for use to 250°C
Relief Caps & Gaskets:	Silicone rubber per AMS 3304.
Surface and plating:	Nickel per AMS 2404 others on request

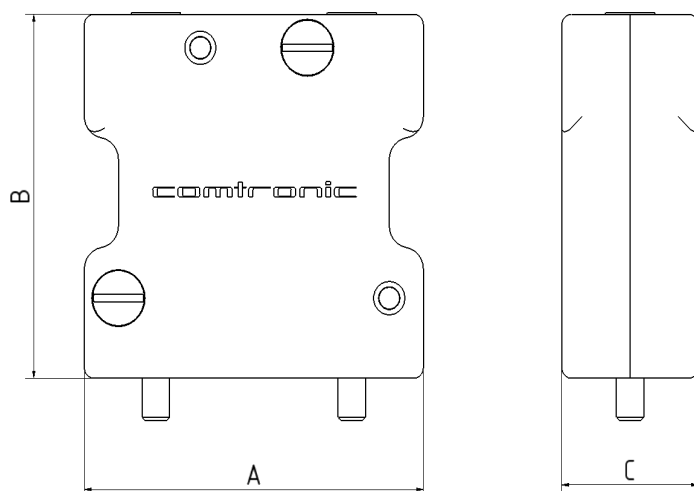
All in this catalogue mentioned dimensions are metric. Imperial - if stated - are in brackets.

Backshell Micro-D

Standard for
standard Micro-D



Material:	Aluminium alloy 6061T6 Magnesium MgAl3Zn on request
Surface:	Nonmagnetic electroless nickel yellow chromate
Hardware:	stainless steel



Shell size	A +/- 0,5	B +/- 0,3	C max.	Ø Cable entry
9	24,9	25,0	10,0	3,7
15	28,6	25,0	10,0	4,7
21	32,5	25,0	10,0	5,0
25	35,0	25,0	10,0	5,7
31	38,8	25,0	10,0	4,4x8
37	42,6	25,0	10,0	4,4x12,6

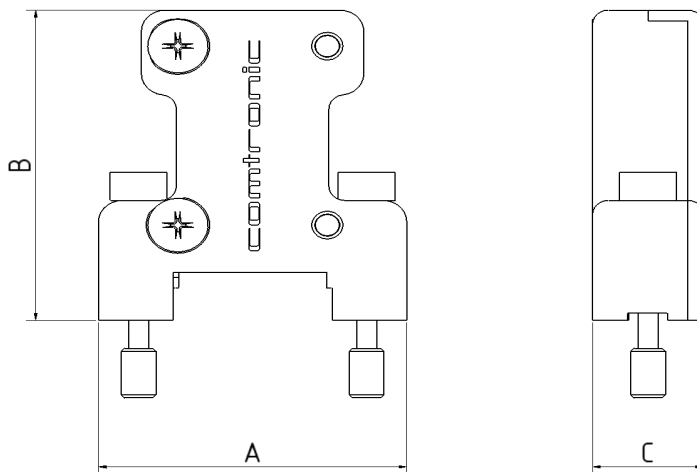
For Info call +49 6220 92 100 or email to mail@comtronic-gmbh.de

Backshell Micro-D

Miniature in combination
with modified Micro-D



Material:	Aluminium alloy 6061T6 Magnesium MgAl3Zn on request
Surface:	Nonmagnetic electroless nickel yellow chromate
Hardware:	stainless steel

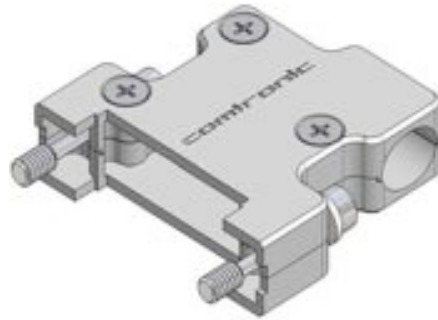


Shell size	A +/- 0,5	B +/- 0,3	C max.	Ø Cable entry
9	19,6	22,0	7,4	3,7
15	23,4	22,0	7,4	4,7
21	27,2	22,0	7,4	5,0
25	29,7	22,0	7,4	5,7
31	33,5	22,0	7,4	4,4x8
37	37,3	22,0	7,4	4,4x12,6

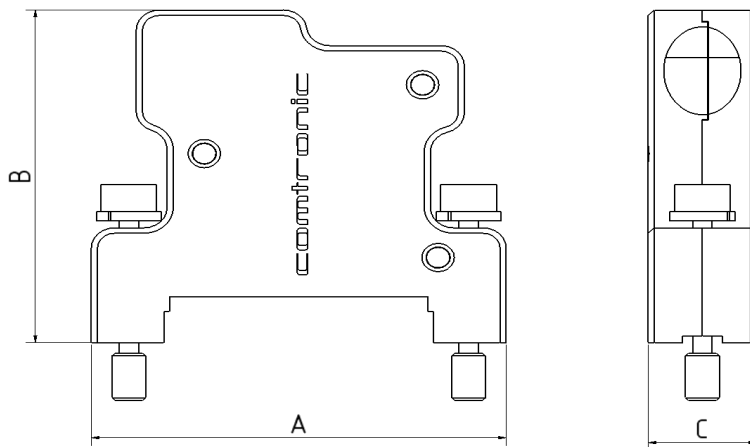
For Info call +49 6220 92 100 or email to mail@comtronic-gmbh.de

Backshell Micro-D

Miniature in combination with modified Micro-D



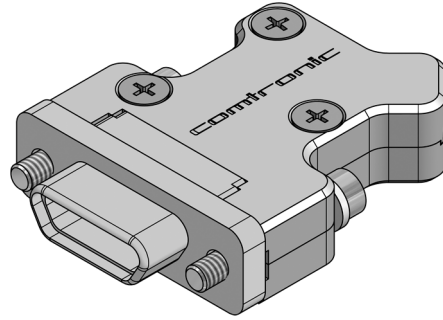
Material:	Aluminium alloy 6061T6 Magnesium MgAl3Zn on request
Surface:	Nonmagnetic electroless nickel yellow chromate
Hardware:	stainless steel



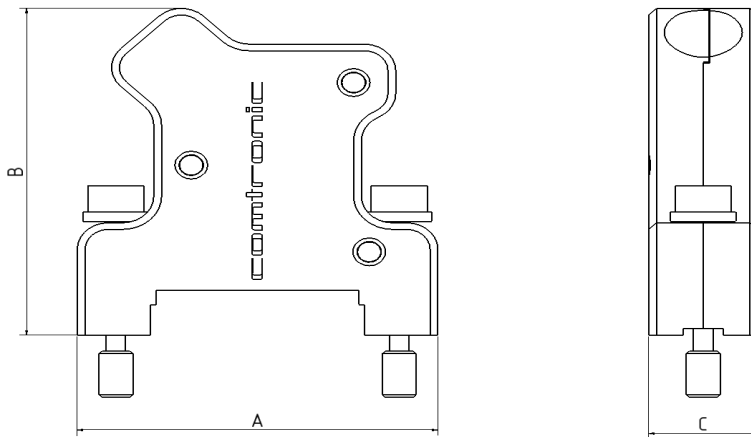
Shell size	A +/- 0,5	B +/- 0,3	C max.	Ø Cable entry
9	19,6	24,6	7,4	3,7
15	23,4	24,6	7,4	4,7
21	27,2	24,6	7,4	5,0
25	29,7	t.b.d.	7,4	t.b.d.
31	33,5	t.b.d.	7,4	t.b.d.
37	37,3	t.b.d.	7,4	t.b.d.

For Info call +49 6220 92 100 or email to mail@comtronic-gmbh.de

Miniature in combination
with modified Micro-D



Material:	Aluminium alloy 6061T6 Magnesium MgAl3Zn on request
Surface:	Nonmagnetic electroless nickel yellow chromate
Hardware:	stainless steel

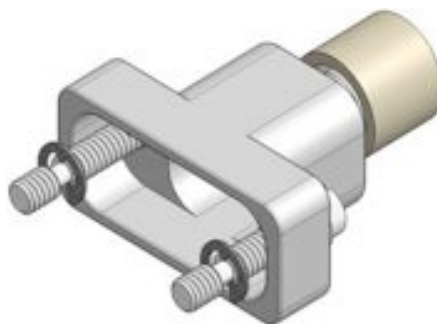


Shell size	A +/- 0,5	B +/- 0,3	C max.	Ø Cable entry
9	19,6	24,7	7,4	3,7
15	23,4	24,7	7,4	4,7
21	27,2	24,7	7,4	5,0
25	29,7	27,5	7,4	t.b.d.
31	33,5	27,5	7,4	t.b.d.
37	37,3	27,5	7,4	t.b.d.

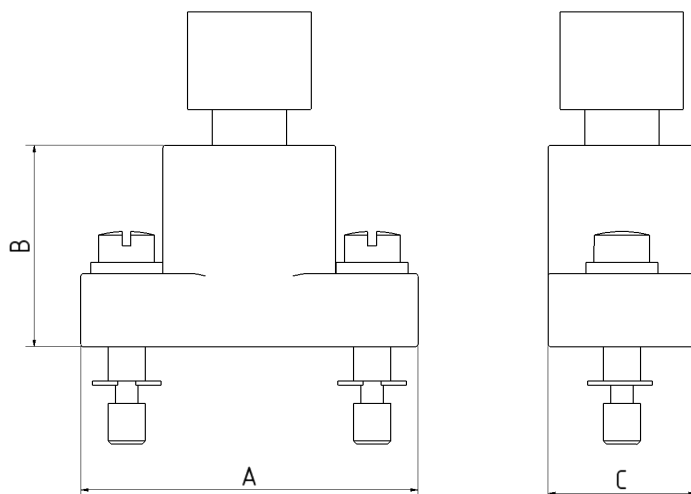
For Info call +49 6220 92 100 or email to mail@comtronic-gmbh.de

Backshell Micro-D

Crimp style for standard Micro-D



Material:	Aluminium alloy 6061T6 Magnesium MgAl3Zn on request
Surface:	Nonmagnetic electroless nickel yellow chromate
Hardware:	stainless steel



Shell size	A +/- 0,5	B +/- 0,3	C max.	Ø Cable entry
9	24,9	12,5	8,6	3,7
15	28,6	12,5	8,6	4,7
21	32,5	12,5	8,6	5,0
25	35,0	12,5	8,6	5,7
31	38,8	12,5	8,6	4,4x8
37	42,6	12,5	8,6	4,4x12,6

For Info call +49 6220 92 100 or email to mail@comtronic-gmbh.de

How to order

Series		C2	B	25	45	Custom
BS	Standard	shell finish	hardware	connector size	cable entry angle	Specify custom cable entry custom material e.g. MgAl3
BSC	Crimp					
BSM	Low Profil					
N1	electroless Nickel					
C2	yellow chromate					
O2	gold plated				180°, 90°, 45°	
B	no hardware					
I	Jackscrew					
9, 15, 21, 25, 31, 37, 51, 100						

All of our backshells are prefabricated on stock. Changes can be made very quick.

Do not hesitate to ask for customspecific solutions.

We will meet your personal specifications **fast** and **flexible**.

Comtronic GmbH
 Verbindungstechnik
 Hüttengasse 53
 69253 Heiligkreuzsteinach
 www.comtronic-gmbh.de